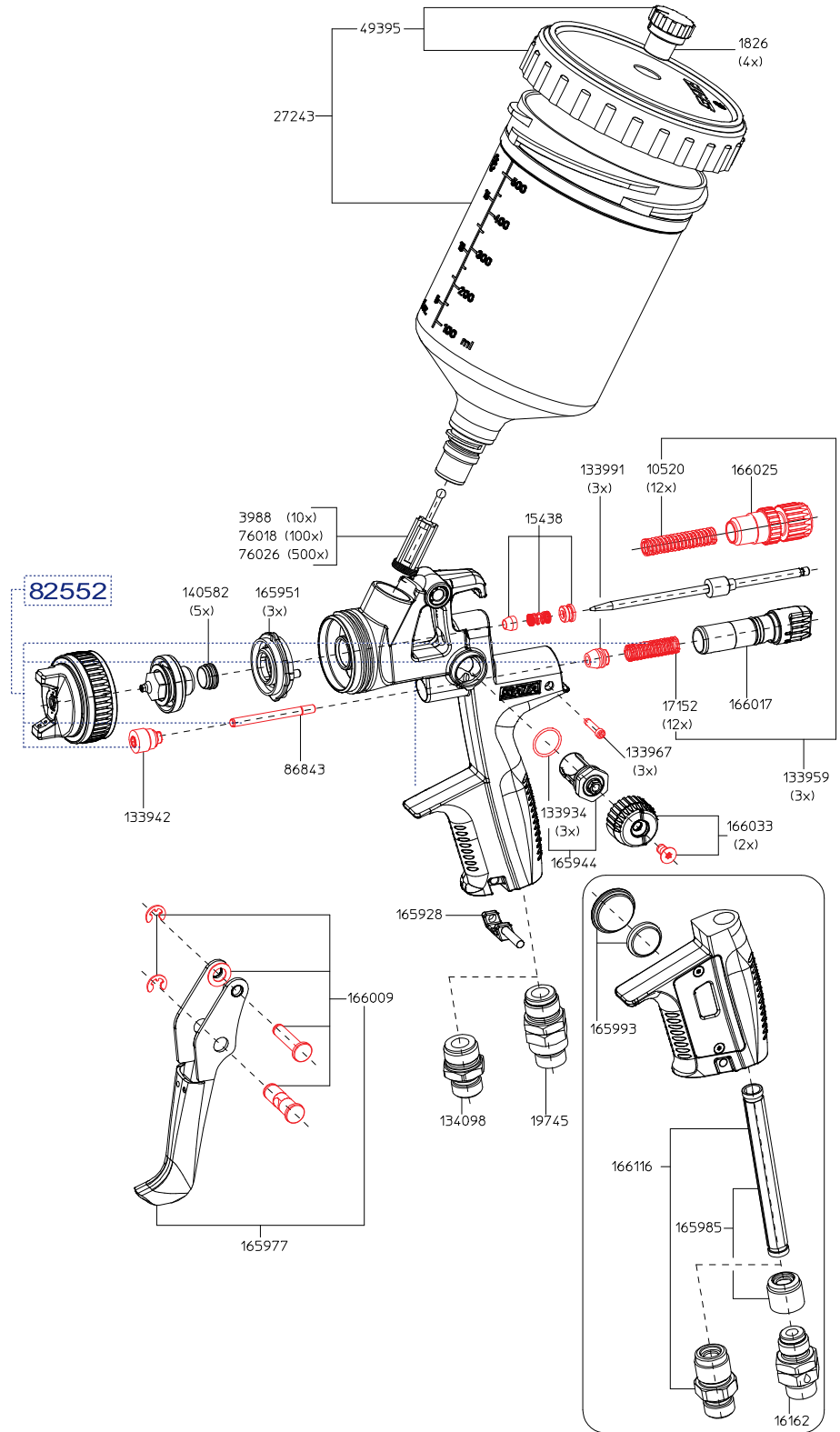


Spare Parts SATAJet® 4000 B

Original SATA spare parts to enhance the lifetime of the spray gun

Art. No./Descr.
1826 4 pieces non-drip devices for 0.6 l PVC cup
3988 10 paint strainers for SATA spray guns, except SATAMinijet
10520 12 Springs
15438 Paint needle packing
16162 Swivel joint for SATA paint spray guns with digital pressure display
17152 Pack of 12 springs
19745 Swivel joint without digital display
27243 QCC quick replacement cup (PVC) 0.6 l
49395 Screw-on lid for 0.6 l PVC cup with drip-catching ring and non-drip device
76018 10 packs of 10 paint strainers
76026 50 packs of 10 paint strainers
86843 Air piston rod
133934 Pack of 3 packings
133942 Seal retainer
133959 Set of springs with each 3 pieces paint needles/air piston springs
133967 Pack of 3 adjustment screws
133991 Pack of 3 air piston heads
134098 Air connection piece G1/4a- M15x1a
136960 Sealing kit
140582 Pack of 5 sealing elements
165928 Pack of 4 CCS clips (green, blue, red, black)
165944 Spindle for round/flat spray control
165951 Pack of 3 air distribution rings
165977 Trigger kit
165985 Seal retainer complete with sleeve
165993 Battery kit with closing screw complete
166009 Trigger sleeve kit
166017 Air micrometer, packaged in plastic bag
166025 Material flow control with counter nut, packaged in plastic bag
166033 Control knob and screw (each 2 units)
166116 Air connection with sleeve



All prices are suggested list prices. Errors, technical modifications and printing errors reserved.

- 165936
Tool kit
- Universal wrench
 - Cleaning brush
 - Allen wrench
 - Torx allen wrench TX20/TX8
 - Paint strainer
 - High performance grease, 3g tube
 - Extraction tool



Art. No./Descr.

- 166058**
Repair kit
- 82552**
Air piston service unit